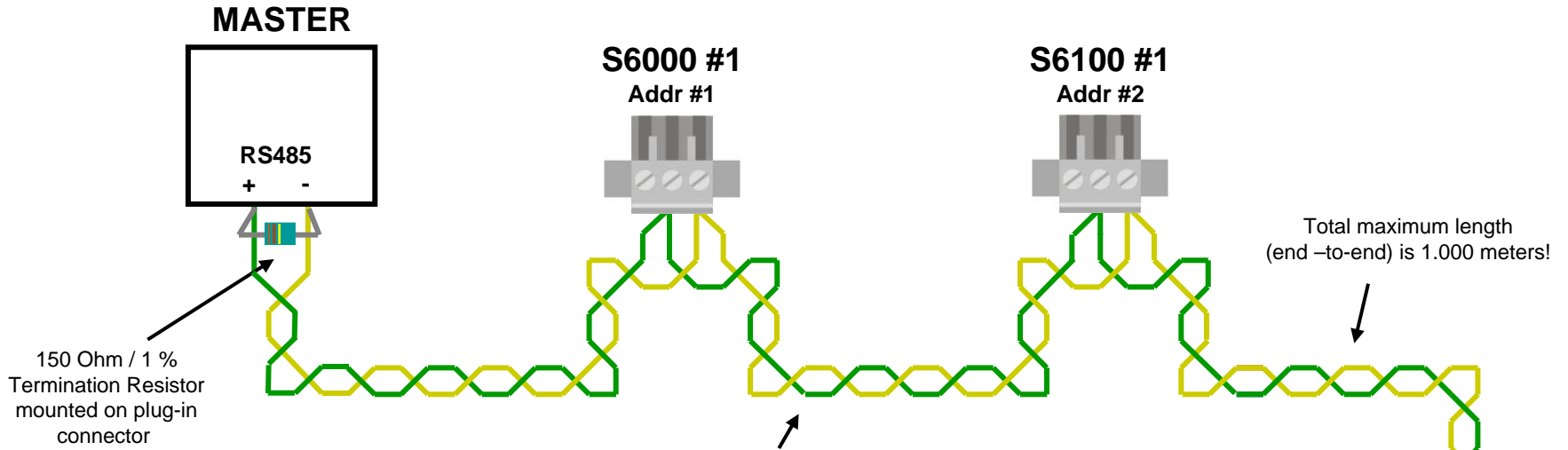
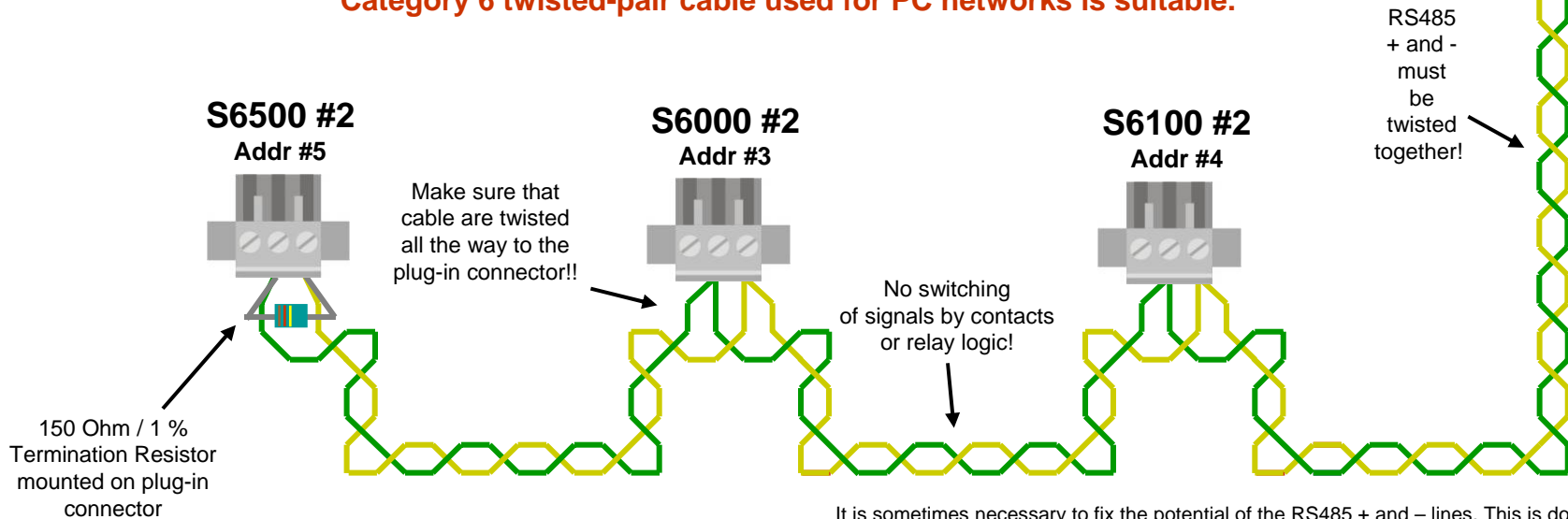


# RS485 Bus Cable



**Recommended cable type is 0.25 - 0.34 mm<sup>2</sup> (AWG23/AWG22).  
Category 6 twisted-pair cable used for PC networks is suitable.**



— Term. 2 (RS485 +)      — Term. 3 (RS485 -)

It is sometimes necessary to fix the potential of the RS485 + and - lines. This is done using two 1 kOhm resistors. One is fixed between RS485 + and +5 VDC, the other is fixed between RS485 - and the reference of the +5 VDC supply. The reference of the +24 VDC supply must then be connected to terminal 1 of the RS485 plug on each and every SIGMA module.